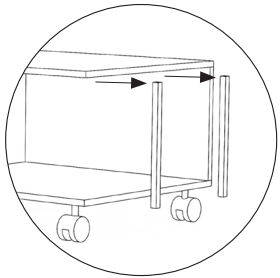
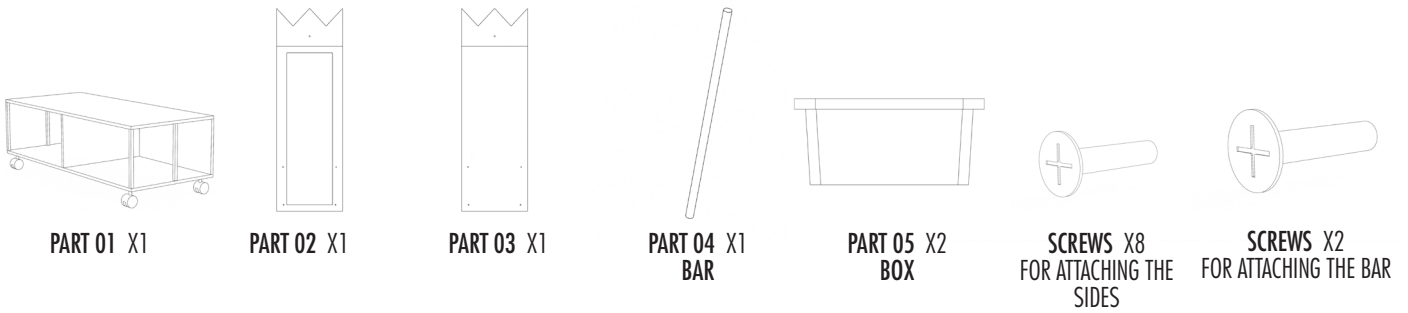
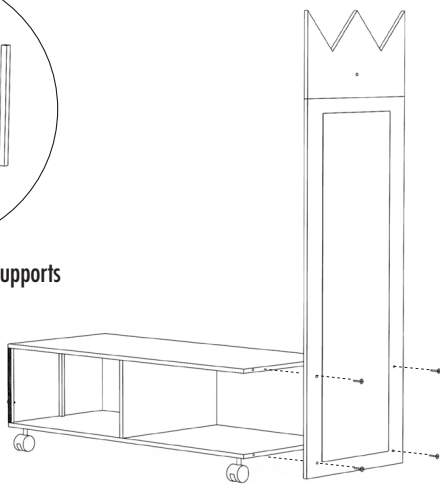


WARDROBE

ASSEMBLY GUIDE



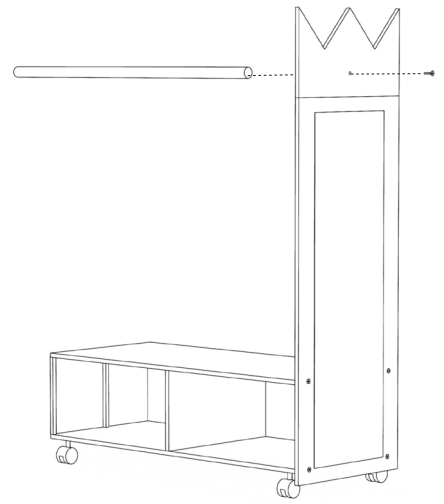
Remove the two wooden supports



Step 1.

Remove the two wooden supports at the right side of the assembled body.

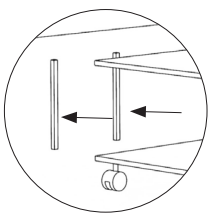
Take the side with the mirror and connect it at the right side to the assembled body with 4 screws.



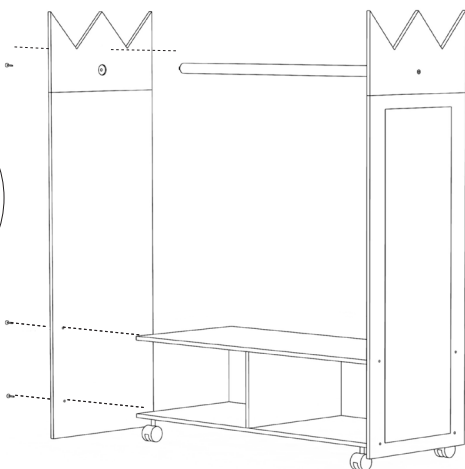
Step 2.

Take the round wooden bar and put it in the pre-drilled hole of the right side with the construction screw.

Please support the bar at the other side in order to prevent breaking.



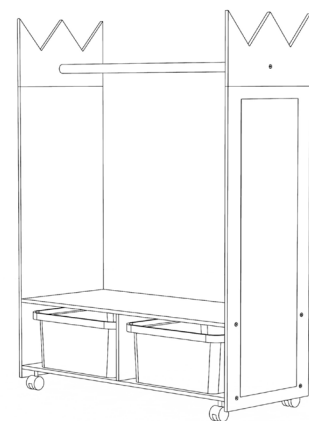
Remove the two wooden supports



Step 3.

Remove the two wooden supports at the left side of the assembled body.

Take the other side (without the mirror), put the other end of the round wooden bar in the pre-drilled hole of the side and connect that left side to the assembled body with 4 screws.



Place the boxes and the wardrobe is ready for use!

In case you need further information, please visit our website at www.kgrolf.nl www.rolfeducation.com