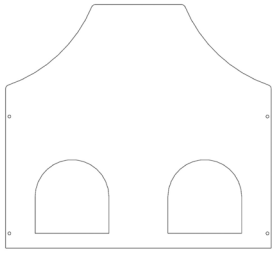
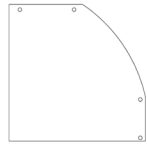


# TACTILE HOUSE

## ASSEMBLY GUIDE



PART 01 X1



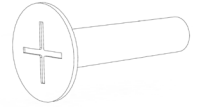
PART 02 X2



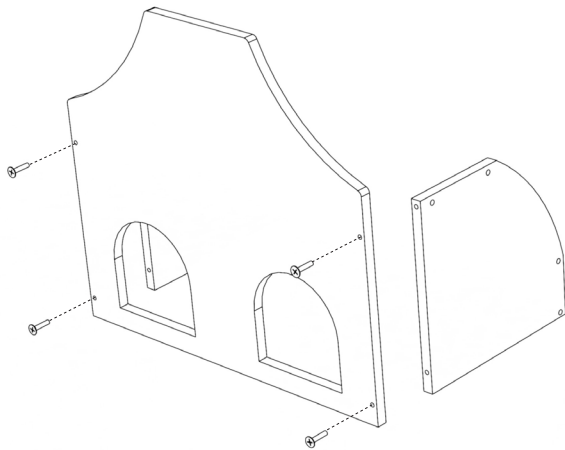
PART 03 X1



PART 04 X1

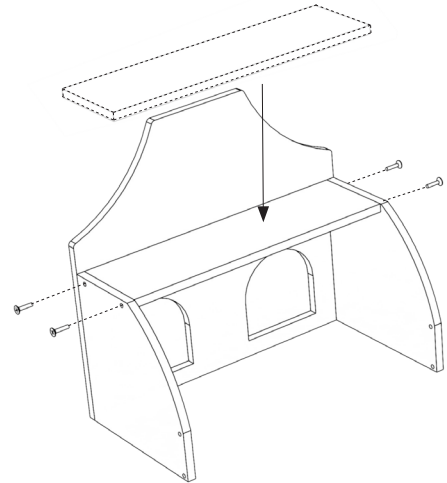


SCREWS X12



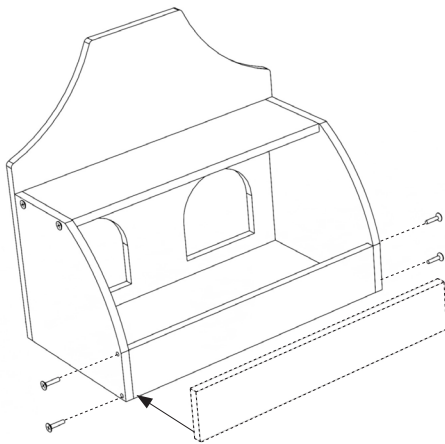
### Step 1.

Take each of the two curved sides and connect them with 4 screws to the back of the orange front of the house, in such a way that the two blue textile 'bags' are inside the house



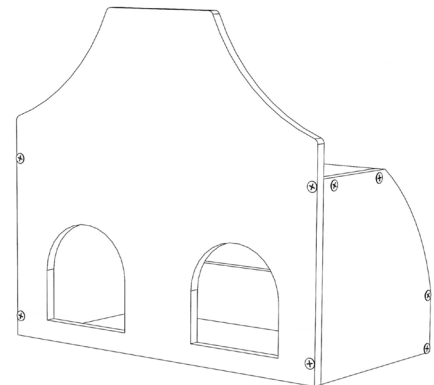
### Step 2.

Take the rectangular top (about 9 cm wide) and connect it with 4 screws at the top, between the two sides.



### Step 3.

Take the rectangular back (about 6 cm high) and connect it with 4 screws at the back, between the two sides.



**You are ready to play!**

**In case you need further information,  
please visit our website at  
[www.kgolf.nl](http://www.kgolf.nl)  
[www.rolfeducation.com](http://www.rolfeducation.com)**